

Drawing



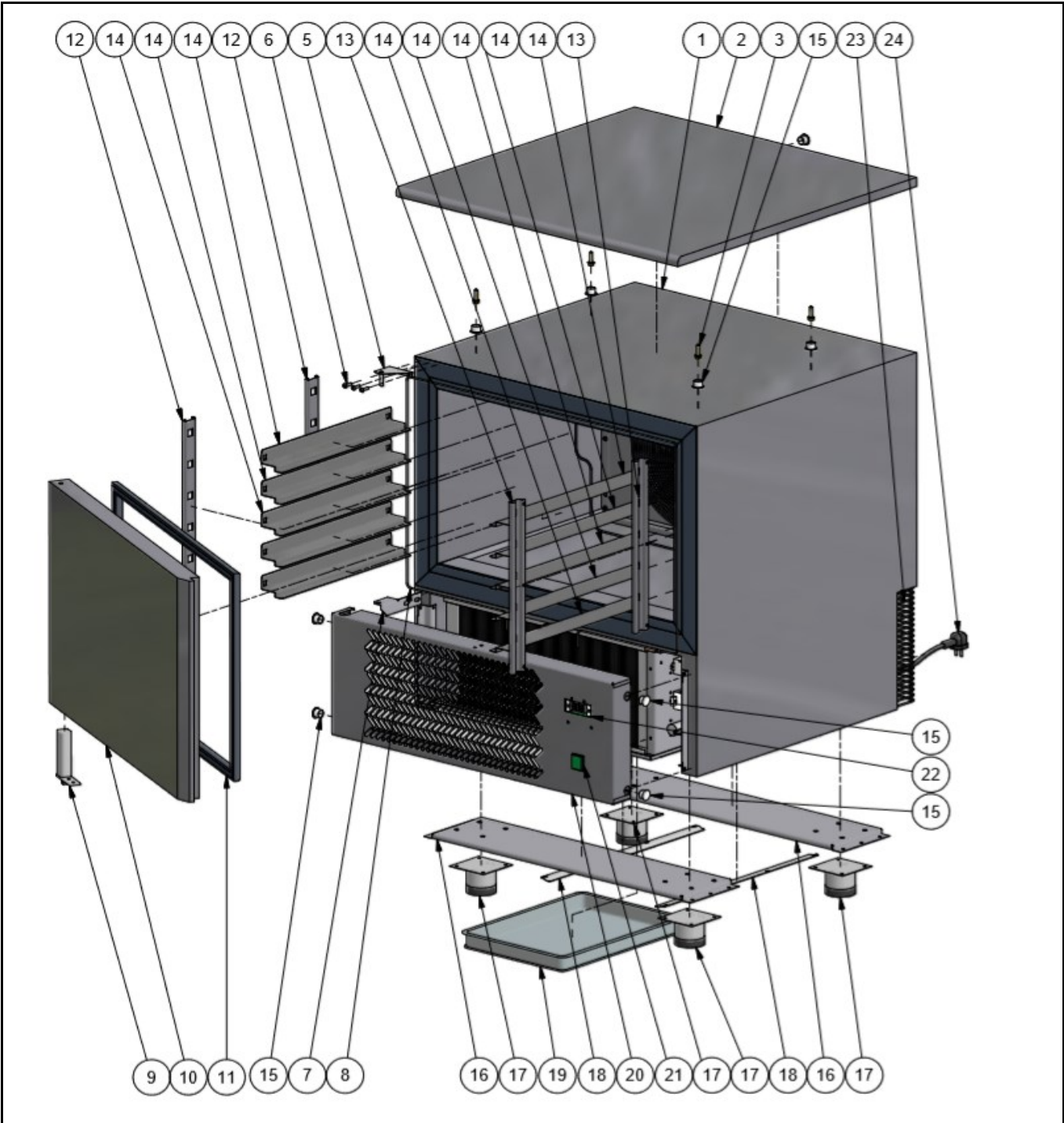
Tools for Chefs

Hendi B.V.  
 Steenoven 21  
 3911 TX Rhenen  
 The Netherlands


Batch #	Appliance part#
000000 and up (until 12-2017)	232170

Description
Blast Chiller 5 X GN 1/1

Date	29-10-2020	Revision #	1.0
Revision	First Bill of Materials (BOM)		



**Bill of materials (BOM)**

 <b>HENDI</b> <small>Tools for Chefs</small> <b>Hendi B.V.</b> Steenoven 21 3911 TX Rhenen The Netherlands	<b>Batch #</b>	<b>Appliance part#</b>
	000000 and up (until 12-2017)	<b>232170</b>
	<b>Description</b>	
<b>Blast Chiller 5 X GN 1/1</b>		

<b>Date</b>	29-10-2020	<b>Revision #</b>	1.0
<b>Revision</b>	First Bill of Materials (BOM)		

Item	Description	Part#	Quantity	Remark	Picture
1	Housing	n/a	1		
2	Housing Cover	n/a	1		
3	Screw for Housing Cover	n/a	1		
5	Upper Hinge	n/a	1		
6	Screw for Upper Hinge	n/a	1		
7	Lower Hinge Holder	n/a	1		
8	Magnetic Seal	n/a	1		
9	Torsion Hinge	n/a	1		
10	Door	n/a	1		
11	Door Gasket	948514	1		
12	Shelf Guide Holder (Left)	n/a	2		
13	Shelf Guide Holder (Right)	n/a	2		
13A	Shelf Guide Holder Set (L+R)	n/a	1		
14	Shelf Holder	943526	10		
15	Screw cover	n/a	9		
16	Bottom Plate	n/a	2		
17	Foot	n/a	4		
18	Collection Tray Holder	n/a	2		
19	Collection Tray	n/a	1		
20	Front Panel	n/a	1		
21	Switch	n/a	1		
22	Main PCB	943533	1		
23	Protective Grid	n/a	1		
24	Power Cord	n/a	1		
	Display Sticker (Hendi)	943571	1	Not shown on Drawing	

n/a -> not available

nss -> not sold separately

Drawing



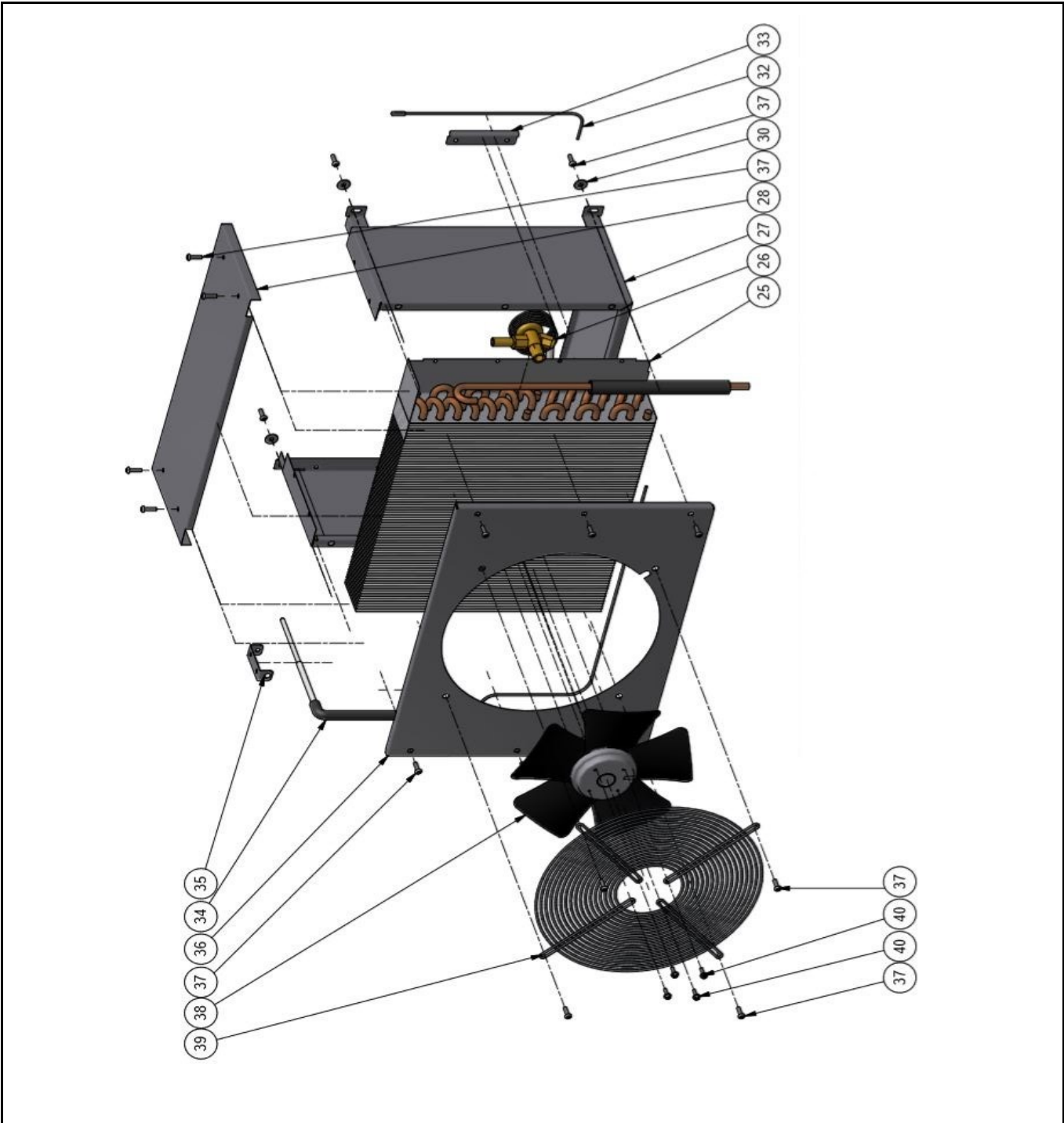
Hendi B.V.  
Steenoven 21  
3911 TX Rhenen  
The Netherlands

Batch #  
000000 and up  
(until 12-2017)


Appliance part#  
**232170**

Description  
Blast Chiller 5 X GN 1/1

Date	29-10-2020	Revision #	1.0
Revision	First Bill of Materials (BOM)		



### Bill of materials (BOM)

 <b>Hendi B.V.</b> Steenoven 21 3911 TX Rhenen The Netherlands	<b>Batch #</b>	<b>Appliance part#</b>
	000000 and up (until 12-2017)	<b>232170</b>
	<b>Description</b>	
<b>Blast Chiller 5 X GN 1/1</b>		

<b>Date</b>	29-10-2020	<b>Revision #</b>	1.0
<b>Revision</b>	First Bill of Materials (BOM)		

Item	Description	Part#	Quantity	Remark	Picture
25	Evaporator (Cold Side)	n/a	1		
26	Thermostatic Valve	n/a	1		
27	Evaporator Housing	n/a	1		
28	Cover Evaporator Housing	n/a	1		
30	Washer	n/a	4		
32	Chamber Probe (PTC)	943540	1		
33	Chamber Probe Cover	n/a	1		
34	Core Temperature Probe	943557	1		
35	Core Temperature Probe Bracket	n/a	1		
36	Front Cover Evaporator	n/a	1		
37	Screw (stainless Steel)	n/a	14		
38	Fan	928905	1		
39	Fan Grill	n/a	1		
40	Fan Mounting Screw	n/a	4		

n/a -> not available

nss -> not sold separately

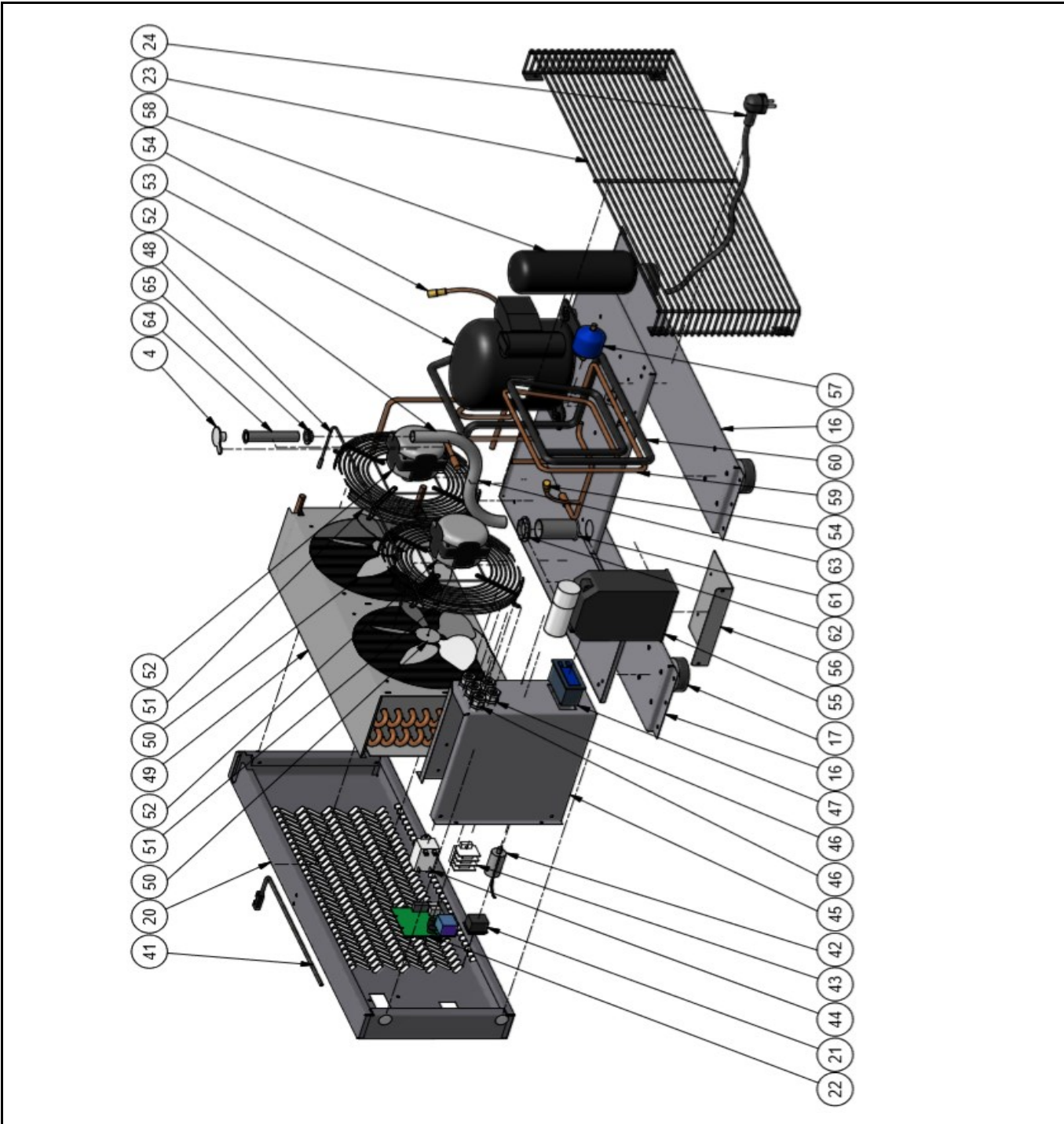
Drawing




**Hendi B.V.**  
 Steenoven 21  
 3911 TX Rhenen  
 The Netherlands

<b>Batch #</b>	<b>Appliance part#</b>
000000 and up (until 12-2017)	<b>232170</b>
<b>Description</b>	
Blast Chiller 5 X GN 1/1	

<b>Date</b>	29-10-2020	<b>Revision #</b>	1.0
<b>Revision</b>	First Bill of Materials (BOM)		



**Bill of materials (BOM)**

 <b>HENDI</b> Tools for Chefs <b>Hendi B.V.</b> Steenoven 21 3911 TX Rhenen The Netherlands	<b>Batch #</b>	<b>Appliance part#</b>
	000000 and up (until 12-2017)	<b>232170</b>
	<b>Description</b>	
<b>Blast Chiller 5 X GN 1/1</b>		

<b>Date</b>	29-10-2020	<b>Revision #</b>	1.0
<b>Revision</b>	First Bill of Materials (BOM)		

Item	Description	Part#	Quantity	Remark	Picture
4	Bottom Drain Plug	n/a	1		
16	Bottom Plate	n/a	2		
17	Foot	n/a	4		
20	Front Panel	n/a	1		
21	Switch	n/a	1		
22	Main PCB	943533	1		
23	Protective Grid	n/a	1		
24	Power Cord	n/a	1		
41	Door Sensor	n/a	1		
42	Capacitor 1.5µF	n/a	1		
43	Terminal	n/a	2		
44	Relay Finder 66.82.8.230.0300	n/a	1		
45	Inner Housing	n/a	1		
46	Cable Retention	n/a	5		
47	Fan Controller (condensor)	n/a	1	EW961	
48	Temperature Sensor Fan Controller	n/a	1	(NTC)	
49	Condensor	n/a	1		
50	Fan Blade	n/a	2		
51	Fan Grill (230mm)	n/a	2		
52	Fan	951811	2		
53	Compressor	n/a	1		
54	Compressor Fill Valve	n/a	2		
55	Electrical Box Compressor	n/a	1		
56	Electrical Box Bracket	n/a	1		
57	Solid Cartridge Filter	n/a	1		
58	Liquid Separator	n/a	1		
59	Coolant Pipe A	n/a	1		
60	Coolant Pipe B	n/a	1		
61	Drain Ø32mm	n/a	1		
62	Ring for Drain Ø32mm	n/a	1		
63	PVC Drain Tube Ø20mm	n/a	1		
64	PVC Drain Pipe Ø20mm	n/a	1		
65	Ring for Drain Pipe Ø20mm	n/a	1		

n/a -> not available

nss -> not sold separately



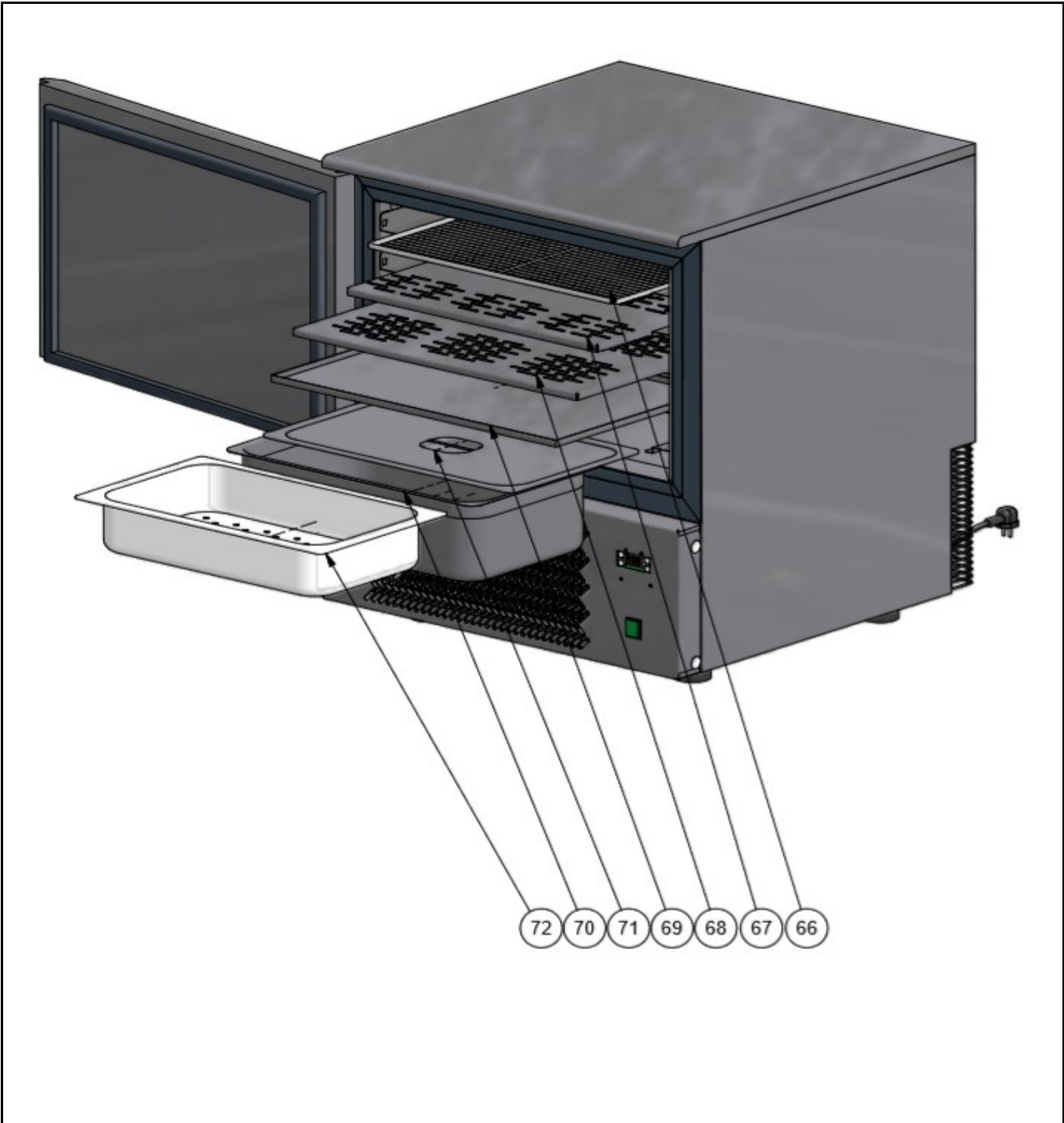
Drawing




Hendi B.V.  
Steenoven 21  
3911 TX Rhenen  
The Netherlands

<b>Batch #</b>	<b>Appliance part#</b>
000000 and up (until 12-2017)	232170
<b>Description</b>	
Blast Chiller 5 X GN 1/1	

<b>Date</b>	29-10-2020	<b>Revision #</b>	1.0
<b>Revision</b>	First Bill of Materials (BOM)		



**Bill of materials (BOM)**

 <b>HENDI</b> <small>Tools for Chefs</small> <b>Hendi B.V.</b> Steenoven 21 3911 TX Rhenen The Netherlands	<b>Batch #</b>	<b>Appliance part#</b>
	000000 and up (until 12-2017)	<b>232170</b>
	<b>Description</b>	
<b>Blast Chiller 5 X GN 1/1</b>		

<b>Date</b>	29-10-2020	<b>Revision #</b>	1.0
<b>Revision</b>	First Bill of Materials (BOM)		

Item	Description	Part#	Quantity	Remark	Picture
66	Grid GN 1/1 Blast Chiller	943564	1		
67	Perforated Plate	n/a	1		
67A	Perforated Plate Stainless Steel	n/a	1		
68	Perforated Shelf 60X40cm	n/a	1		
68A	Perforated Shelf Stainless Steel 60X40cm	n/a	1		
69	GN 1/1 Stainless Steel Pan	n/a	1		
69A	Stainless Steel Pan 60X40cm	n/a	1		
70	GN 1/1 Stainless Steel Pan 150	n/a	1		
71	Lid GN 1/1 Stainless Steel	n/a	1		
72	PP Tray witg Fasje Bottom	n/a	1		
	Wheel Set	n/a	4	Not shown on Drawing(s)	

n/a -> not available

nss -> not sold separately